

## V27, K5.6

### Models V2725 and V2726 Conventional (Old Style)

### Sprinklers Standard and Quick Response

## PRODUCT DESCRIPTION



V2725  
V2726



See Victaulic  
publication 10.01  
for details.

This Model V27 conventional old-style sprinkler is designed to produce a hemispherical pattern which deflects approximately half of the spray upwards toward the ceiling and the other half downwards and can be installed in either the upright or pendant position. It is available with either standard or quick response bulbs. The design incorporates state-of-the-art, heat responsive, frangible glass bulb design (standard or quick response) for prompt, precise operation.

The die cast frame is more streamlined and attractive than traditional sand cast frames. It is cast with a hex-shaped wrench boss to allow easy tightening from many angles, reducing assembly effort. This sprinkler is available in various temperature ratings (see chart on page 2) and finishes to meet many design requirements.

#### Sprinkler Operation

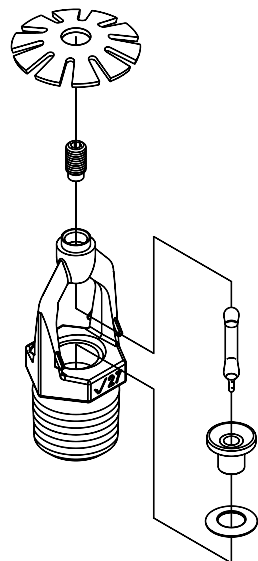
The operating mechanism is a frangible glass bulb which contains a heat responsive liquid. During a fire, the ambient tempera-

ture rises causing the liquid in the bulb to expand. When the ambient temperature reaches the rated temperature of the sprinkler, the bulb shatters. As a result, the waterway is cleared of all sealing parts and water is discharged towards the deflector. The deflector is designed to distribute the water in a pattern that is most effective in controlling the fire.

#### Coverage

For coverage area and sprinkler placement, refer to NFPA 13 standards.

## TECHNICAL SPECIFICATIONS



(Exaggerated for clarity)

**Models:** V2725, V2726  
**Style:** Conventional  
**Nominal Orifice Size:**  
 1/2" (13 mm)  
**K-Factor:** 5.6 Imp. (8,1 S.I. ^)  
**Nominal Thread Size:**  
 1/2" NPT (15 mm)  
**Max. Working Pressure:**  
 175 PSI (1200 kPa)  
**Factory Hydrostatic Test:**  
 100% @ 500 PSI (3450 kPa)  
**Min. Operating Pressure:**  
 7 PSI (48 kPa)  
**Temperature Rating:** See  
 chart on page 2.

#### MATERIAL SPECIFICATIONS

**Deflector:**  
 UNS C51000  
**Bulb:** Glass with glycerin solution.  
**Bulb Nominal Diameter:**  
 Standard: 5,0 mm  
 Quick Response: 3,0 mm  
**Load Screw:** UNS C36000  
**Pip Cap:** UNS C36000  
**Spring:** Beryllium nickel  
**Seal:** Teflon\* tape  
**Frame:** Die cast brass 65-30

#### ACCESSORIES

##### Installation Wrench:

Open End: V27, V38-3

##### Finishes:

Plain brass  
 Chrome plated

For cabinets and other accessories refer to separate sheet.

^ For K-Factor when pressure is measured in Bar, multiply S.I. units by 10.0.

\* Teflon is a registered trademark of Dupont Co.

# APPROVALS/LISTINGS

40.10-1C

Model	Orifice Size Inches millimeters	Nominal K-Factor Imperial S.I. <sup>^</sup>	Response	Deflector Type	Approved Temperature Ratings °F/°C ‡ Ω			
					UL	ULC	NYC/MEA†	CSFM §
V2725	1/2 13	5.6 8.1	Standard	Conventional*	135 - 360 57 - 182	135 - 360 57 - 182	135 - 360 57 - 182	135 - 360 57 - 182
V2726	1/2 13	5.6 8.1	Quick	Conventional*	135 - 286 57 - 141	135 - 286 57 - 141	135 - 286 57 - 141	135 - 286 57 - 141

‡ Listings and approval as of printing. Ω All are approved open, except for areas designated "No".

<sup>^</sup> For K-Factor when pressure is measured in Bar, multiply S.I. units by 10.

† MEA #62-99-E.

§ CSFM #7690-0531:112

\*Not to be used with any recessed escutcheon.

# RATINGS

40.10-2B

All glass bulbs are rated for temperatures from -65°F (-54°C) up to those shown in adjacent table.

Sprinkler Temperature Classification	Victaulic Part Identification	Temperature – °F/°C		Glass Bulb Color
		Nominal Temperature Rating	Maximum Ambient Temp. Allowed	
Ordinary	A	135 57	100 38	Orange
Ordinary	C	155 68	100 38	Red
Intermediate	E	175 79	150 65	Yellow
Intermediate	F	200 93	150 65	Green
High	J	286 141	225 ~ 107	Blue
Extra High ‡	K	360 182	300 149	Mauve
- ‡	M	Open	- -	No Bulb

‡ Standard response only.

All are approved open, except for areas designated "No".

~ 150/65 if wax coated.

# ORDERING INFORMATION

Please specify the following when ordering:

- Sprinkler Model Number
- Style
- Temperature Rating
- K-Factor
- Thread Size
- Quantity
- Sprinkler Finish
- Wrench Model Number

## ⚠ WARNING

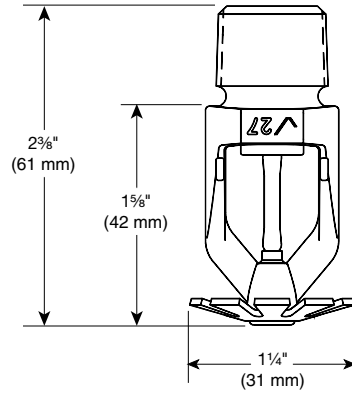


- Always read and understand installation, care, and maintenance instructions, supplied with each box of sprinklers, before proceeding with installation of any sprinklers.
  - Always wear safety glasses and foot protection.
  - Piping systems must always be depressurized and drained before attempting disassembly and removal of any Victaulic piping products.
  - Installation rules, especially those governing obstruction, must be strictly followed.
  - Painting, plating, or any re-coating of sprinklers (other than that supplied by Victaulic) is not allowed.
- Failure to follow these instructions could result in serious personal injury and/or property damage.

The owner is responsible for maintaining the fire protection system and devices in proper operating condition. For minimum maintenance and inspection requirements, refer to the current National Fire Protection Association pamphlet that describes care and maintenance of sprinkler systems. In addition, the authority having jurisdiction may have additional testing, and inspection requirements that must be followed.

If you need additional copies of this publication, or if you have any questions about the safe installation of this product, contact Victaulic World Headquarters, P.O. Box 31, Easton, Pennsylvania 18044-0031, 610-559-3300.

## DIMENSIONS



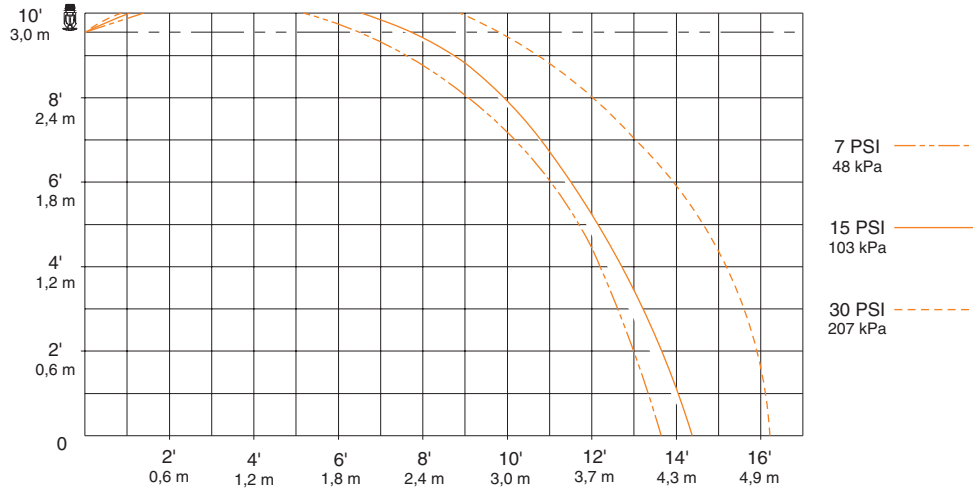
Conventional Pendant/Upright - V2725, V2726

## AVAILABLE WRENCHES

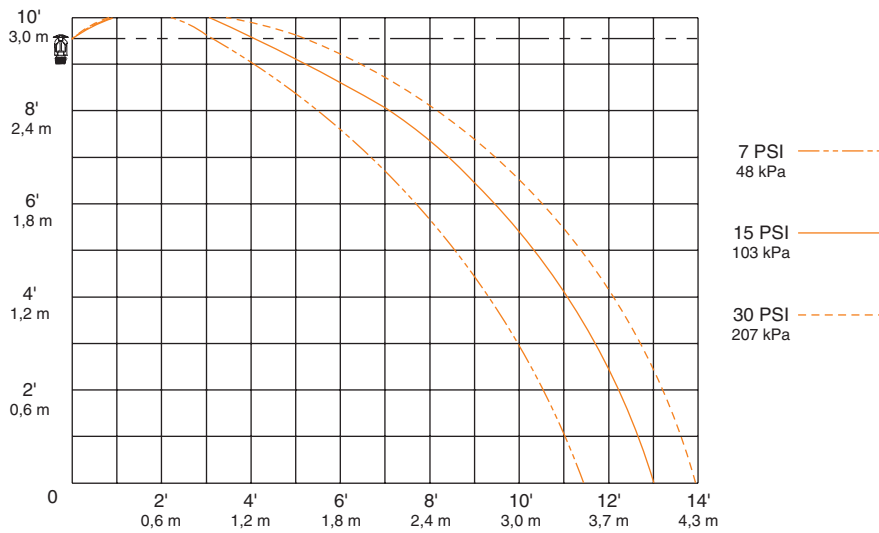
	V38 or V38-3 Recessed	V27 Open End
V2725, V2726 Conventional	✓	✓

# DISTRIBUTION PATTERNS

**MODELS V2725, V2726  
K5.6 STANDARD CONVENTIONAL – PENDENT POSITION  
DISTRIBUTION PATTERNS – TRAJECTORY**



**MODELS V2725, V2726  
K5.6 STANDARD CONVENTIONAL – UPRIGHT POSITION  
DISTRIBUTION PATTERNS – TRAJECTORY**



**NOTES:**

1. Data shown is approximate and can vary due to differences in installation.
2. These graphs illustrate approximate trajectories, floor-wetting, and wall-wetting patterns for these specific Victaulic FireLock Automatic Sprinklers. They are provided as information for guidance in avoiding obstructions to sprinklers and should not be used as minimum sprinkler spacing rules for installation. Refer to the appropriate NFPA National Fire Code and the authority having jurisdiction for specific information regarding obstructions, spacing limitations and area of coverage requirements. Failure to follow these guidelines could adversely affect the performance of the sprinkler and will void all Listings, Approvals and Warranties.
3. All patterns are symmetrical to the centerline of the waterway.

# WARRANTY

Refer to the Warranty section of the current Price List or contact Victaulic for details.

This product shall be manufactured by Victaulic Company. All products to be installed in accordance with current Victaulic installation/assembly instructions. Victaulic reserves the right to change product specifications, designs and standard equipment without notice and without incurring obligations.