

FireLock® Fittings

PRODUCT DESCRIPTION



FireLock® products comprise a unique system specifically designed for fire protection services. FireLock full-flow elbows and tees are a CAD-developed, hydrodynamic design that has a shorter center-to-end dimension than standard fittings. A noticeable bulge allows the water to make a smoother turn to maintain similar flow characteristics as standard full flow fittings.

FireLock fittings are designed for use exclusively with Style 005 FireLock couplings. Use of other couplings or flange adapters may result in bolt pad interference.

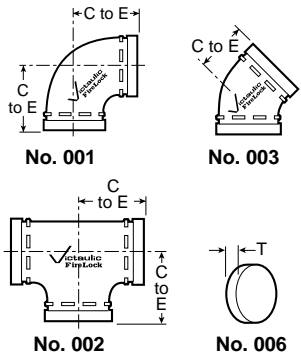
Victaulic FireLock fittings pressure ratings conform to the ratings of Victaulic FireLock Style 005 couplings.

Patented



See Victaulic publication 10.01 for details.

DIMENSIONS



Fitting Size		No. 001 90° Elbow		No. 003 45° Elbow		No. 002 Straight Tee		No. 006 Cap	
Nominal Diameter Inches/mm	Actual Outside Diameter Inches/mm	C to E Inches mm	Aprx. Weight Each Lbs./kg	C to E Inches mm	Aprx. Weight Each Lbs./kg	C to E Inches mm	Aprx. Weight Each Lbs./kg	Thickness "T" Inches mm	Aprx. Weight Each Lbs./kg
1 1/4 32	1.660 42,4	- -	- -	- -	- -	- -	- -	0.82 21	0.3 0,1
1 1/2 40	1.900 48,3	- -	- -	- -	- -	- -	- -	0.82 21	0.4 0,2
2 50	2.375 60,3	2.75 70	1.7 0,8	2.00 51	1.8 0,8	2.75 70	2.4 1,1	0.88 22	0.6 0,3
2 1/2 65	2.875 73,0	3.00 76	3.1 1,4	2.25 57	2.2 1,0	3.00 76	3.6 1,6	0.88 22	1.0 0,5
76,1 mm	3.000 76,1	3.00 76	3.30 1,5	2.25 57	2.4 1,1	- -	- -	- -	- -
3 80	3.500 88,9	3.38 86	4.0 1,8	2.50 64	3.1 1,4	3.38 86	5.3 2,4	0.88 22	1.2 0,5
4 100	4.500 114,3	4.00 102	6.7 3,0	3.00 76	5.6 2,5	4.00 102	8.7 3,9	1.00 25	2.4 1,1
5 125	5.563 141,3	4.88 124	12.6 5,7	3.25 83	8.3 3,8	4.88 124	15.7 7,1	1.00 25	4.1 1,9
6 150	6.625 168,3	5.50 140	18.3 8,3	3.50 89	11.7 5,3	5.50 140	22.7 10,3	1.00 25	5.9 2,7
8 200	8.625 219,1	6.81 173	25.5 11,6	4.25 108	20.4 9,3	6.94 176	38.7 17,6	1.13 29	12.7 5,8



FLOW DATA

Fitting Size		Frictional Resistance Equivalent Feet/meters of Straight Pipe			
Nominal Diameter Inches/mm	Actual Outside Diameter Inches/mm	90° Elbow No. 001	45° Elbow No. 003	Straight Tee No. 002	
				Branch	Run
2 50	2.375 60,3	3.5 1,1	1.8 0,5	8.5 2,6	3.5 1,1
2½ 65	2.875 73,0	4.3 1,3	2.2 0,7	10.8 3,3	4.3 1,3
76,1 mm	3.000 76,1	4.5 1,4	2.3 0,7	11.0 3,4	4.5 1,4
3 80	3.500 88,9	5.0 1,5	2.6 0,8	13.0 4,0	5.0 1,5
4 100	4.500 114,3	6.8 2,1	3.4 1,0	16.0 4,9	6.8 2,1
5 125	5.563 141,3	8.5 2,6	4.2 1,3	21.0 6,4	8.5 2,6
6 150	6.625 168,3	10.0 3,0	5.0 1,5	25.0 7,6	10.0 3,0
8 200	8.625 219,1	13.0 4,0	5.0 1,5	33.0 10,1	13.0 4,0

† The flow data listed is based upon the pressure drop of Schedule 40 pipe.

MATERIAL SPECIFICATIONS

Fitting: Ductile iron conforming to ASTM A-536, grade 65-45-12

Fitting Coating: Orange enamel

- **Optional:** Hot dipped galvanized

This product shall be manufactured by Victaulic Company. All products to be installed in accordance with current Victaulic installation/assembly instructions. Victaulic reserves the right to change product specifications, designs and standard equipment without notice and without incurring obligations.