

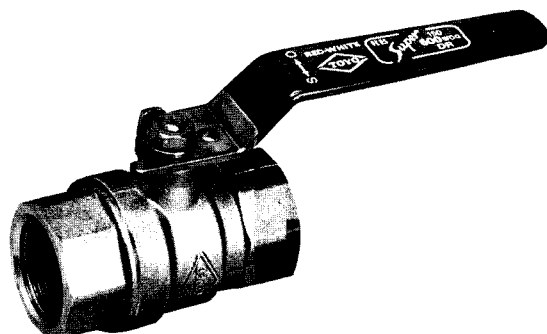
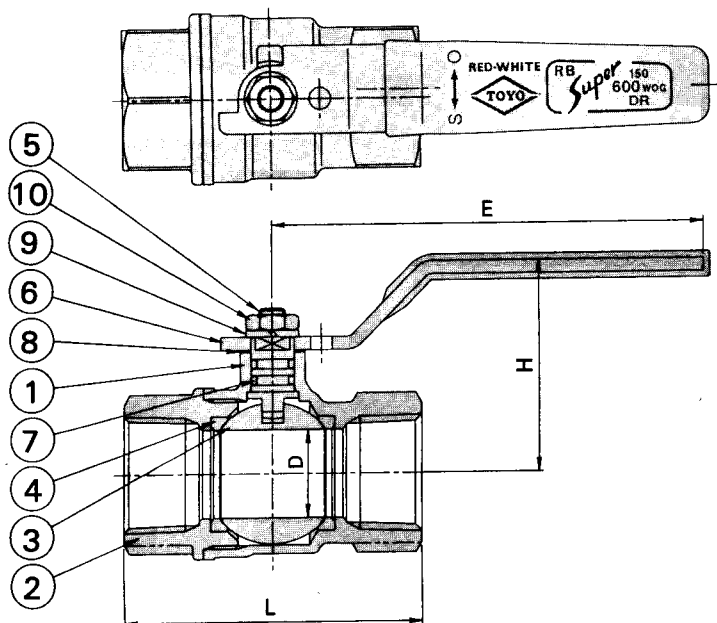
RED-WHITE



# 600-POUND BRASS BALL VALVES

Full bore, 2-piece body, blowout-proof stem, screwed ends.

MSS Specification Valves



**Working Pressures**

Size	Working Pressure Non-Shock		Test Pressure	
	Steam	Cold Water, Oil, Gas	Shell (Water)	Seat (Air)
1/4-2	Psig 150	600	900	80
	Bar 10.3	41.4	62.1	5.5
2 1/2 & 3	Psig 150	400	600	80
	Bar 10.3	27.6	41.4	5.5

**Materials**

No.	Name of parts	ASTM Specifications	
1	Body	Forged brass	DR Alloy**
2	Cap	Forged brass	DR Alloy**
3	Ball	1/4 - 2	Forged brass
		2 1/2 & 3	(Hard-chromium plated)
4	Steam	Forged brass	DR Alloy**
5	Seat	Teflon®	
6	Lever handle	1/4 - 2	Stainless steel
		2 1/2 & 3	Ductile iron
7	"O" Ring	Viton® + Buna-N	
8	Thrust washer	Teflon®	
9	Spring washer	Steel wire *	A 227
10	Nut	Steel *	A36 Gr.A

- ® Du Pont's trade name
- \* Zinc plated
- \*\* Dezincification Resistant

**Dimensions**

Mark	Size	1/4	3/8	1/2	3/4	1	1 1/4	1 1/2	2	2 1/2	3
	L	in.	1.85	1.97	2.36	2.72	3.15	3.70	4.09	4.92	5.59
mm		47	50	60	69	80	94	104	125	142	162
H	in.	1.69	1.73	1.77	1.89	2.13	2.32	2.76	3.03	4.13	4.53
	mm	43	44	45	48	54	59	70	77	105	115
E	in.	3.15	3.15	3.94	3.94	5.12	5.12	5.91	5.91	7.87	11.81
	mm	80	80	100	100	130	130	150	150	200	300
d	in.	0.31	0.39	0.59	0.79	0.98	1.26	1.57	1.97	2.01	2.50
	mm	8	10	15	20	25	32	40	50	51	63.5

**Weight**

lbs.	0.42	0.49	0.57	0.86	1.39	2.01	3.15	5.20	8.84	14.15
kgs.	0.19	0.22	0.26	0.39	0.63	0.91	1.43	2.36	4.01	6.42

**Note:**

- (1) End threads conform to the British standard taper pipe threads.
- (2) Sizes 2 and smaller are full bore type, and sizes 2 1/2 & 3 are reduced bore type.
- (3) Sizes 2 1/2 & 3 are 400 WOG.
- (4) Memory stop is available on request. This ball valve with memory stop can be opened to the same present position each time.
- (5) These valves conform to the requirement of MSS SP-110.

\*Design and materials are subject to change without notice.