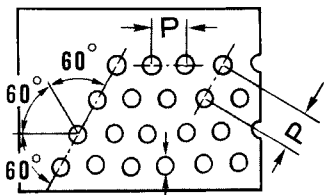
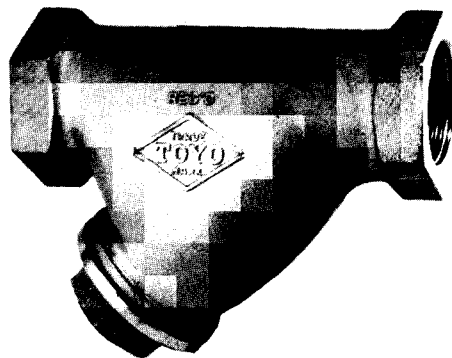
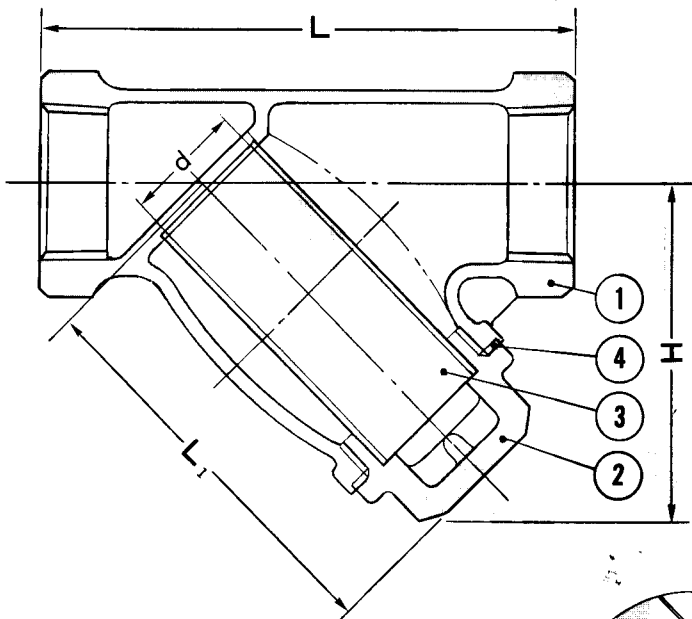


RED-WHITE

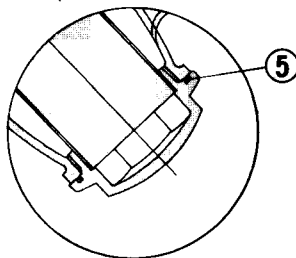


# 150-POUND BRONZE STRAINERS

Screwed cap, Y-pattern, screwed ends.



P : Pitch 0.098 inch (2.5 mm)  
a : Diameter 0.059 inch (1.5 mm)



Cap construction for sizes 2½ & 3-inch

**Working pressures**

Working pressure Non-shock		Test pressure Shell (water)
Psig	150	300
Bar	10.3	20.7

**Materials**

No.	Name of parts	ASTM Specifications	
1	Body	Cast bronze	B62-C83600
2	Cap	½ & ¾	Forged brass B124-C37700
		1-2	Forged brass B283-C37700
		2½ & 3	Cast bronze B62-C83600
3	Screen	Stainless steel	A167-304
4	Gasket	Non-asbestos packing	T#1995
5	O-ring	Buna-N	

**Note:**

1. End threads conform to the American or British standard pipe threads.
2. Taping for drain plug can be made on the caps of the American standard pipe threads strainers.

**Dimensions**

Mark	Size	½	¾	1	1¼	1½	2	2½	3
	L	in.	3.15	3.94	4.53	5.31	6.30	7.68	8.66
	mm	80	100	115	135	160	195	220	240
L <sub>1</sub>	in.	2.36	2.87	3.39	3.94	4.45	5.79	7.05	7.72
	mm	60	73	86	100	113	147	179	196
H	in.	1.93	2.32	2.80	3.19	3.66	4.72	5.79	6.50
	mm	49	59	71	81	93	120	147	165
d	in.	0.59	0.79	0.98	1.26	1.57	1.97	2.40	2.99
	mm	15	20	25	32	40	50	61	76

**Weight**

lb	0.64	1.04	1.63	2.60	3.74	6.19	10.47	13.78
kg	0.29	0.47	0.74	1.18	1.70	2.81	4.75	6.25

\*Design and materials are subject to change without notice.