

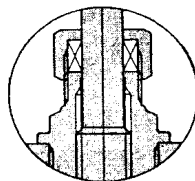
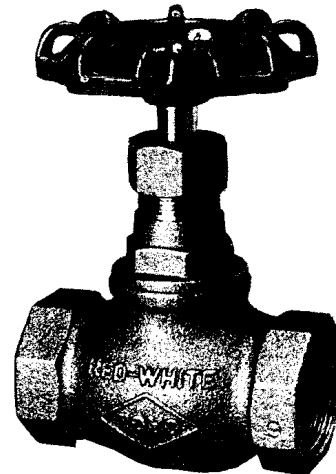
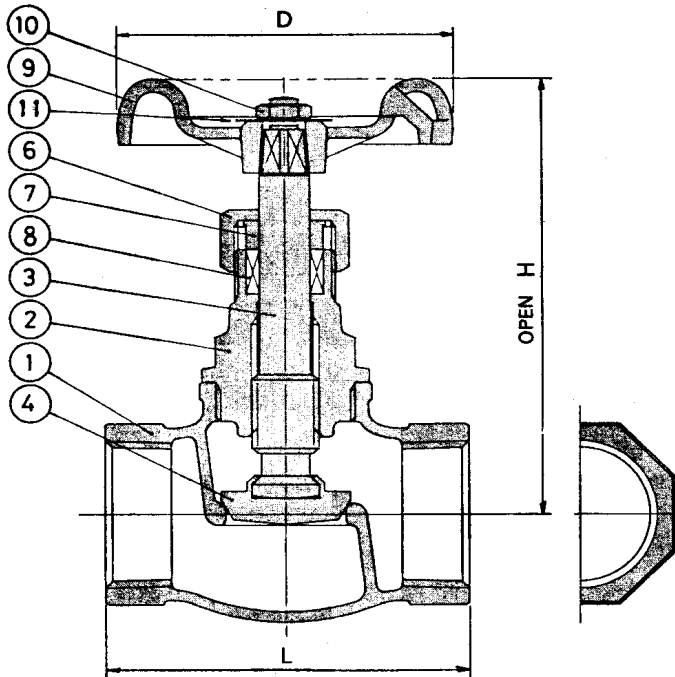
RED-WHITE



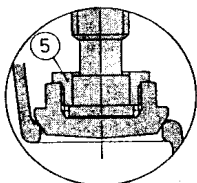
125-POUND BRONZE GLOBE VALVES

Screwed bonnet, swivel type metal disc, screwed ends.

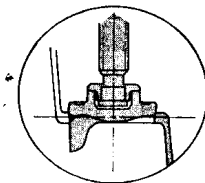
MSS Specification Valves



Stuffing box construction for sizes 1/4 to 3/4



Disc construction for sizes 1/4 to 2 1/2



Disc construction for sizes 3 to 4

Materials

No.	Name of parts	ASTM specifications	
1	Body	Cast bronze	B62-C83600
2	Bonnet	1/4 & 3/8 Forged brass	B124-C37700
		1/2-2 Forged brass	B283-C37700
3	Stem	2 1/2-4 Cast bronze	B62-C83600
		Copper alloy rod*	B21-C47940
4	Disc	1/4-1 1/2 Copper alloy rod*	B21-C47940
		2-4 Cast bronze	B62-C83600
5	Lock nut	1 1/4-2 Brass rod	B16-C36000
		2 1/2 & 3 Forged brass	B124-C37700
6	Packing nut	4 Cast bronze	B62-C83600
		1/4-2 1/2 Forged brass	B283-C37700
7	Gland	3 & 4 Cast bronze	B62-C83600
		1-4 Forged brass	B124-C37700
8	Gland packing	Non-asbestos packings	T#2996-NA
9	Handwheel	1/4-1/2 Zinc alloy die casting	B86-Z33520
		3/4-3 Aluminum alloy die casting	B85-A03840
		4 Ductile iron	A536 Gr.65-45-12
10	Wheelnut	Steel (Zinc plated)	A563 Gr.A
11	Name plate	Aluminum plate	B209-1100

*Toyo's patented corrosion resistant material.

Working pressures

Size	Working pressure Non-shock		Test pressure	
	Saturated steam	Cold water, Oil, Gas	Shell (Water)	Seat (Air)
1/4 to 3	Psig 125	200	300	80
	Bar 8.6	13.8	20.7	5.5
4	Psig 125	175	250	80
	Bar 8.6	12.1	17.2	5.5

Dimensions

Size Mark	Dimensions											
	1/4	3/8	1/2	3/4	1	1 1/4	1 1/2	2	2 1/2	3	4	
L	in.	1.65	1.81	2.17	2.56	2.99	3.35	3.86	4.53	5.20	5.91	7.28
	mm	42	46	55	65	76	85	98	115	132	150	185
H	in.	2.64	2.91	3.03	3.50	4.33	5.16	5.67	6.57	8.62	9.65	11.89
	mm	67	74	77	89	110	131	144	167	219	245	302
D	in.	1.89	2.17	2.17	2.48	2.76	3.15	3.54	3.94	4.92	5.51	7.09
	mm	48	55	55	63	70	80	90	100	125	140	180

Weight

lb	0.42	0.51	0.64	0.95	1.48	2.27	3.17	5.05	9.59	13.22	28.62
kg	0.19	0.23	0.29	0.43	0.67	1.03	1.44	2.29	4.35	6.00	12.98

Note:

1. End threads conform to the American or British standard pipe threads.
2. These valves conform to the requirements of MSS SP-80.

*Design and materials are subject to change without notice.