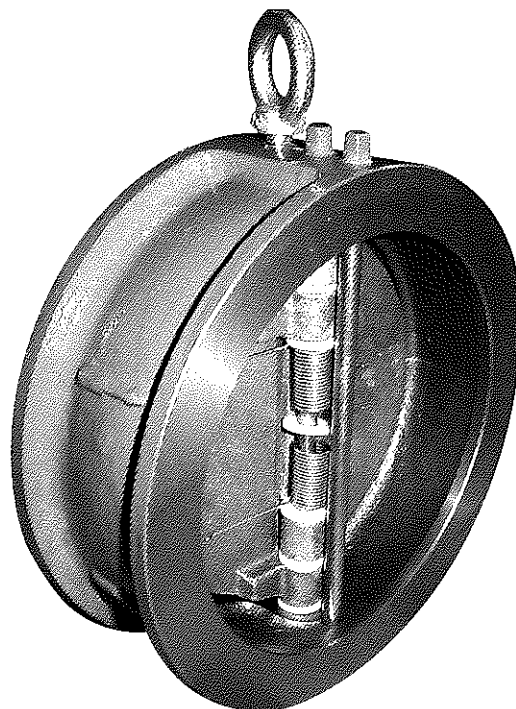


RED-WHITE



Cast Iron Dual Plate Check Valves

Fig. No. 441F (JIS 10K)
Fig. No. 442F (Class 150)



Working pressure for Fig.441F (MPa)

Maximum service pressure (Seat Buna-N)	80°C Static water	1.4
	80°C Water, oil, gas	1.2
Test pressure	Shell (Water)	2.1
	Seat (Air)	0.6-0.05

Working pressure for Fig.442F

Nominal pressure non-shock, water	Hydrostatic test pressure	
	Shell	Seat
Psig 150	350	210-7
Bar 10.3	24.1	14.5-0.5

Materials

No.	Name of Parts	ASTM Specifications	
1	Body	Cast iron	A216 Class B
2	Body seat	Buna-N (standard material)	
3	Plate	Bronze	B584-C83600
4	Spring	Stainless steel	A313 Type 316
5	Hinge pin	Stainless steel	A276 Type 304
6	Plug	Steel	A576 Grade 1025
7	Plate washer	Teflon®	
8	Body washer	Teflon®	
9	Spring washer	6-20	Teflon®
10	Eye bolt	6-20	Steel
11	Stopper pin	Stainless steel	A276 Type 304

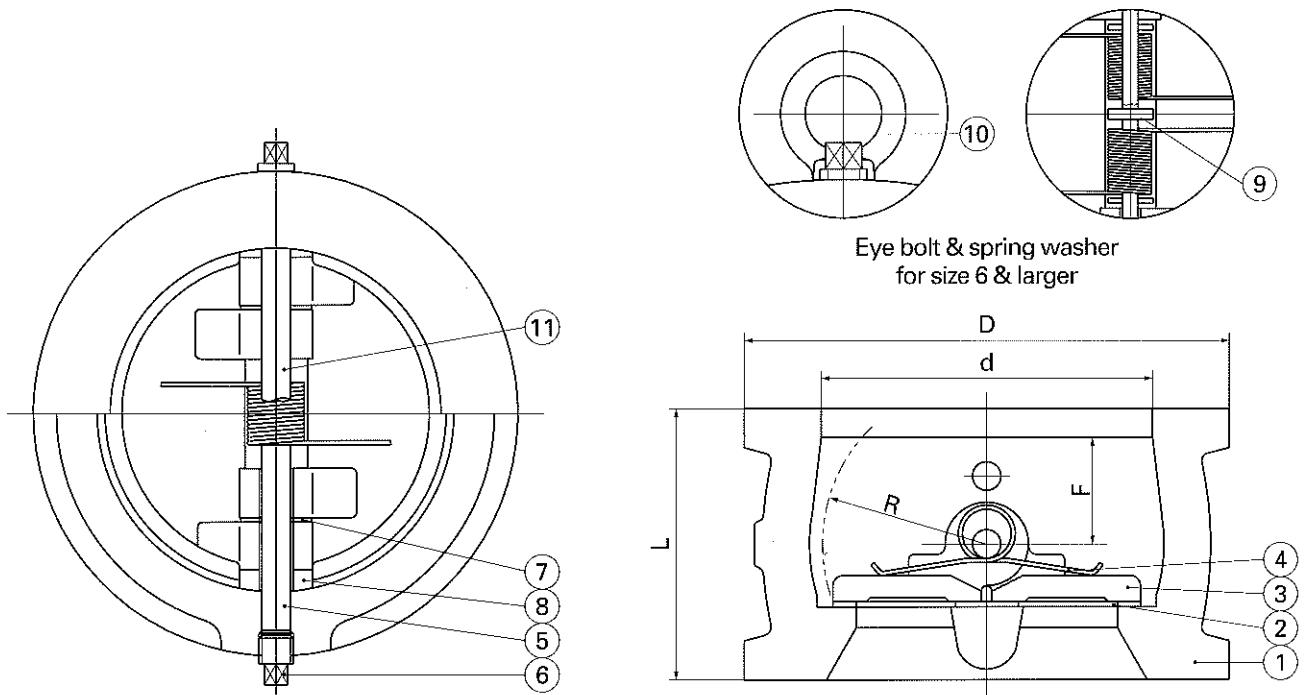
®Dupont's tradename

Body seat materials

No.	Name of Parts	Temperature
2	Buna-N	32 to 176° F (0 to 80°C)
	EPDM	-14 to 212° F (-10 to 100°C)
	FPM(VITON®)	-22 to 302° F (-30 to 150°C)

*Design and materials are subject to change without notice.

FIG. NO. 441F,442F



Dimensions

Size (in)	Mark (mm)	D		d	L	R	F
		441F	442F				
2	in.	3.98	4.13	2.40	2.13	1.26	1.06
	mm	101	105	61	54	32	27
2 1/2	in.	4.76	4.88	2.87	2.13	1.46	1.06
	mm	121	124	73	54	37	27
3	in.	5.16	5.39	3.50	2.24	1.77	1.18
	mm	131	137	89	57	45	30
4	in.	6.14	6.89	4.49	2.52	2.09	1.26
	mm	156	175	114	64	53	32
5	in.	7.36	7.76	5.55	2.76	2.64	1.30
	mm	187	197	141	70	67	33
6	in.	8.54	8.74	6.61	2.99	3.11	1.38
	mm	217	222	168	76	79	35
8	in.	10.51	10.98	8.62	3.74	4.13	1.65
	mm	267	279	219	95	105	42
10	in.	12.99	13.39	10.75	4.25	5.04	1.65
	mm	330	340	273	108	128	42
12	in.	14.76	16.14	12.76	5.63	6.10	2.28
	mm	375	410	324	143	155	58
14	in.	16.54	17.76	14.02	7.24	6.69	3.70
	mm	420	451	356	184	170	94
16	in.	19.02	20.24	15.98	7.52	7.68	3.50
	mm	483	514	406	191	195	89
18	in.	21.18	21.61	17.99	7.99	8.62	3.39
	mm	538	549	457	203	219	86
20	in.	23.35	23.86	20.00	8.39	9.61	3.50
	mm	593	606	508	213	244	89

Weight

lb.	kg.
7	3
9	4
11	5
13	6
20	9
22	10
42	19
68	31
123	56
157	71
218	99
260	118
397	180