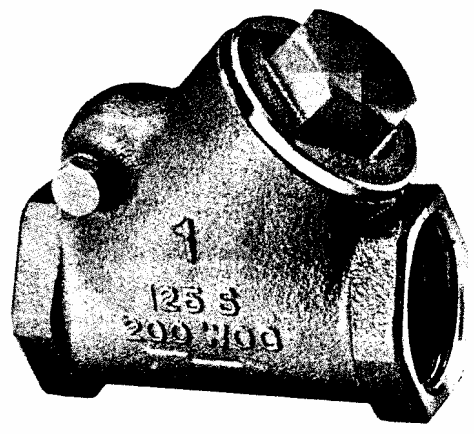
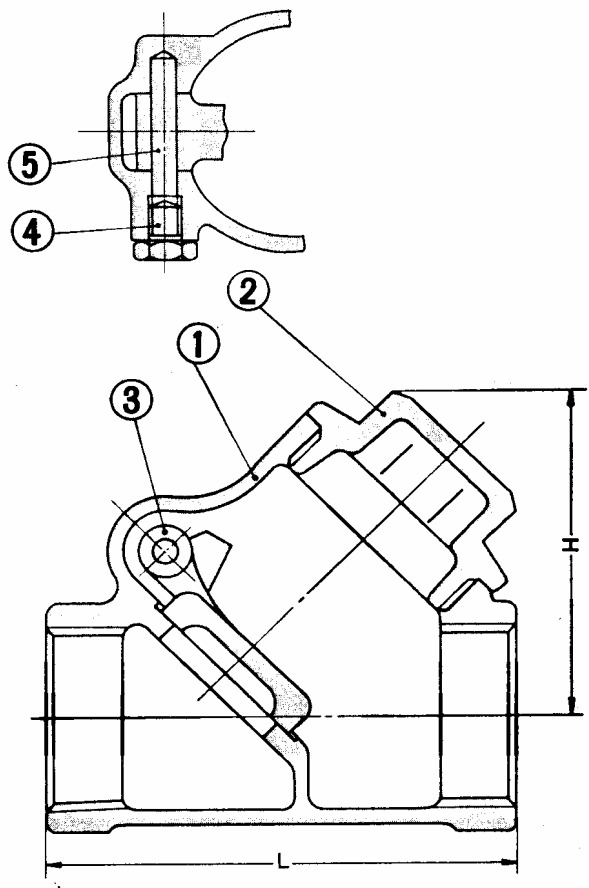




# 125-POUND BRONZE CHECK VALVES

Swing type, Y-pattern, screwed cap, integral disc, screwed ends.

MSS Specification Valves



### Working Pressures

Working Pressure Non-Shock		Test Pressure	
Saturated Steam	Cold Water, Oil, Gas	Shell (Water)	Seat (Air)
Psig 125	200	300	50
Bar 8.6	13.8	20.7	3.5

### Materials

No.	Name of parts	ASTM Specifications	
1	Body	Cast bronze	B62-C83600
2	Cap	Cast bronze	B62-C83600
3	Disc	Cast bronze	B62-C83600
4	Plug	Brass rod	B16-C36000
5	Hanger pin	Copper alloy rod*	B21-C37940

\* Resist-Dezincification Material (Toyo copper alloy Pat. No. 845351)

### Note:

- End threads conform to the American, British or Germany standard pipe threads.
- These valves conform to the requirements of MSS SP-80.

### Dimensions

Size Mark	1/4	3/8	1/2	3/4	1	1 1/4	1 1/2	2	2 1/2	3	4
L in.	2.20	2.20	2.20	2.76	3.15	3.78	4.33	5.04	6.14	7.24	9.13
L mm	56	56	56	70	80	96	110	128	156	184	232
H in.	1.65	1.65	1.65	1.97	2.28	2.72	3.19	3.86	4.69	5.47	6.85
H mm	42	42	42	50	58	69	81	98	119	139	174

### Weight

lbs	0.46	0.44	0.57	0.95	1.34	2.11	3.08	4.99	8.71	12.50	24.16
kgs	0.28	0.27	0.26	0.43	0.61	0.96	1.40	2.27	3.96	5.68	10.98

\*Design and materials are subject to change without notice.