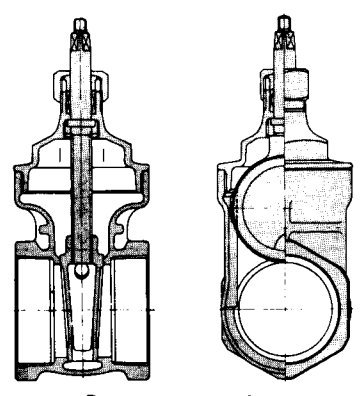
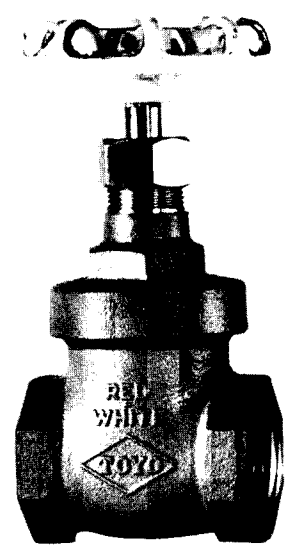
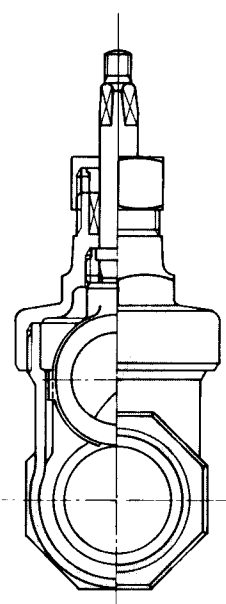
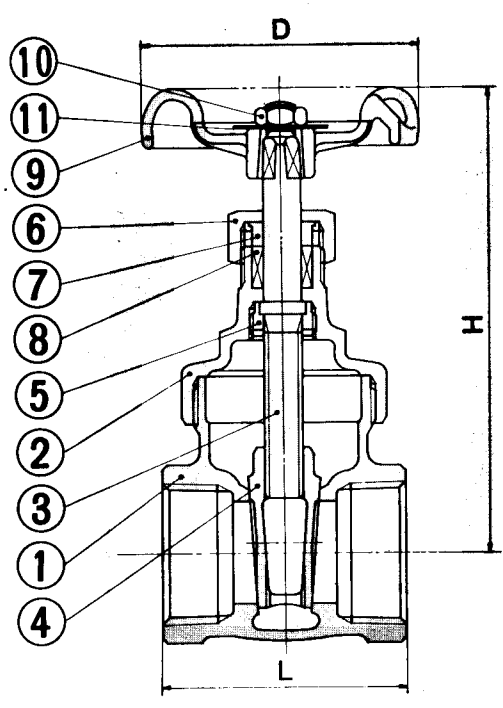




125-POUND BRONZE GATE VALVES

Non-rising stem, screw-over bonnet, solid wedge disc, screwed ends.



Bonnet construction for sizes 2 1/2 to 4

Materials

No.	Name of Parts	ASTM specifications		
1	Body	Cast bronze	B62-C83600	
2	Bonnet	Cast bronze	B62-C83600	
3	Stem	Copper alloy rod*	B21-C47940	
4	Disc	Cast bronze	B62-C83600	
5	Lock nut	Copper alloy rod*	B21-C47940	
6	Packing nut	1/4-3	Forged brass	B21-C37700
		4	Cast bronze	B62-C83600
7	Gland	Forged brass	B124-C37700	
8	Gland packing	Non-asbestos packing		T#2996-NA
9	Handwheel	1/4-3/4	Zinc alloy die casting	B86-Z33520
		1-4	Aluminum alloy die casting	B85-A03840
10	Wheel nut	Steel (zinc plated)	A307 Gr. A	
11	Name plate	Aluminum plate	B209-1000	

* Resist-Dezincification Material (Toyo copper alloy Pat. No. 845351)

Dimensions

Size Mark	1/4	3/8	1/2	3/4	1	1 1/4	1 1/2	2	2 1/2	3	4	
L	in.	1.65	1.65	1.73	1.93	2.20	2.40	2.60	2.87	3.54	3.94	5.51
	mm	42	42	44	49	56	61	66	73	90	100	140
H	in.	3.03	3.03	3.19	3.70	4.25	4.92	5.43	6.65	8.07	9.57	12.24
	mm	77	77	81	94	108	125	138	169	205	243	311
D	in.	1.89	1.89	1.89	2.17	2.48	2.76	3.15	3.54	3.94	4.92	6.30
	mm	48	48	48	55	63	70	80	90	100	125	160

Weight

lbs	0.57	0.55	0.64	0.88	1.28	1.81	2.51	3.95	7.32	10.71	25.07
kgs	0.26	0.25	0.29	0.40	0.58	0.82	1.14	1.79	3.32	4.86	11.37

Working Pressures

Working Pressure Non-Shock		Test Pressure	
Saturated Steam	Cold Water, Oil, Gas	Shell (Water)	Seat (Air)
Psig 125	200	300	80
Bar 8.6	13.8	20.7	5.5

Note:
End threads conform to the American, British or Germany standard pipe threads.

*Design and materials are subject to change without notice.